

xanigo.

Electric Atomizer for Disinfecting



INSTRUCTIONS FOR HVLP ELECTRIC ATOMIZER (XD103)

Before using the atomizer, read this manual thoroughly.

Any improper use can cause damage or serious injury including death.

Before using this atomizer, it is important to read and understand this manual. The information it contains relates to protecting YOUR SAFETY and PREVENTING PROBLEMS. Improper use can cause damage or serious injury including death. The labels below are used to help you recognize this information.

DANGER: Indicates an imminently hazardous situation which, if not avoided, will result in death or serious injury.

WARNING: Indicates a potentially hazardous situation which, if not avoided, could result in death or serious injury.

CAUTION: Indicates a potentially hazardous situation which, if not avoided, may result in minor or moderate injury.

NOTICE: Used without the safety alert symbol indicates a potentially hazardous situation which, if not avoided, may result in property damage.

IMPORTANT SAFETY INSTRUCTIONS

SAVE THESE INSTRUCTIONS - To reduce the risks of fire or explosion, electrical shock and the injury to persons, read and understand all instructions included in this manual. Be familiar with the controls and the proper usage of the equipment.

WARNING: FIRE OR EXPLOSION HAZARD. Only use Xanigo approved chemicals. Other chemicals may have solvents which can generate spray material fumes that can explode or ignite. Severe injury or property damage can occur. Only clean up with water or soap & water.

To avoid these risks, take the following preventions:

- Exhaust and fresh air introduction must be provided to keep the air within the spray area free from accumulation of flammable vapors.
- Keep spray area well ventilated
- Avoid all ignition sources such as static electricity sparks, open flames, pilot lights, hot objects, lit tobacco products, and sparks from connecting and disconnecting power cords or working light switches.
- Fire extinguisher equipment shall be present and working.
- Keep area clean and free of paint or solvent containers, rags, and other flammable materials.
- Follow the disinfectant manufacturer's safety precautions and warnings.
- Do not spray flammable or combustible materials.
- Know the contents of the spray materials and their cleaning chemicals. Read all Material Safety Data Sheets (MSDS) and container labels provided with the disinfectant materials. Follow the disinfectant manufacturer's safety instructions.

WARNING: EXPLOSION HAZARD DUE TO INCOMPATIBLE MATERIALS. Severe injury or property damage can occur.

To avoid these risks, take the following preventions:

- Do not use paint.
- Do not use solvents.
- Do not use bleach.
- Do not use halogenated hydrocarbon solvents such as methylene chloride and 1,1,1 - trichloroethane. They are not compatible with aluminum and may cause an explosion. If you are unsure of a material's compatibility with aluminum, contact your disinfectant supplier.

WARNING: HAZARDOUS VAPORS. Spray materials, solvents, and other materials can be harmful if inhaled or come in contact with the body. Vapors can cause severe nausea, fainting, or poisoning.

To avoid these risks, take the following preventions:

- Keep spray area well ventilated.
- Use a respirator or mask as vapors can be inhaled. Read all instructions supplied with the mask to ensure proper use.
- Wear protective eyewear.
- Wear protective clothing as required by disinfectant manufacturer.

WARNING: ELECTRIC SHOCK HAZARD. May cause severe injury.

To avoid these risks, take the following preventions

- Keep electrical cord plug and atomizer trigger free from spray material and other liquids. Never hold cord at plug connections to support cord or product. Failure to observe may result in an electrical shock and death.
- Never immerse electrical parts in water or any other liquid. Wipe the exterior of the atomizer with a damp cloth to wipe away unwanted materials. Always make sure the atomizer is unplugged before taking it apart for cleaning.
- Do not expose unit to rain or wet conditions.
- Do not abuse the cord. Never use the cord to carry the unit or pull the plug from an outlet. Keep cord away from heat, oil, sharp edges or moving parts. Replace damaged cords immediately.
- Do not store atomizer with liquid in the canister.
- Do not operate nor store atomizer on its side or inverted when liquid is in the canister.
- The suction tube in the canister should always be submerged in the liquid in the canister when in use. Do not operate the atomizer in a manner/attitude that allows the suction tube to become unsubmerged. Examples of improper use include (but are not limited to) use while inverted or use while being held sideways. Bubbling of the liquid in the canister indicates improper use.

WARNING: SKIN INJECTION HAZARD. May cause severe injury.

To avoid these risks, take the following preventions

- NEVER aim the atomizer at any part of the body.
- Do not aim the atomizer at or spray any person or animal.
- NEVER allow any part of the body to come in contact with the fluid stream.
- NEVER put your hand in front of the atomizer.
 - ALWAYS wear gloves while operating the unit; however, gloves will not provide protection against an injection injury.
- Keep hands and other body parts away from the discharge. For example, do not try to stop leaks with any part of the body.
- Always unplug the atomizer before servicing, cleaning tip guard, changing tips, or leaving unattended.
- Always use the nozzle tip guard. Do not spray without nozzle tip guard in place.
- Only use a nozzle tip specified by the manufacturer.
- Use caution when cleaning and changing nozzle tips. In the case where the nozzle tip clogs while spraying, follow the manufacturer's instructions.
- High-pressure spray is able to inject toxins into the body and cause serious bodily injury. In the event that injection occurs, seek medical attention immediately.
- Verify that all connections are secure before operating the unit.

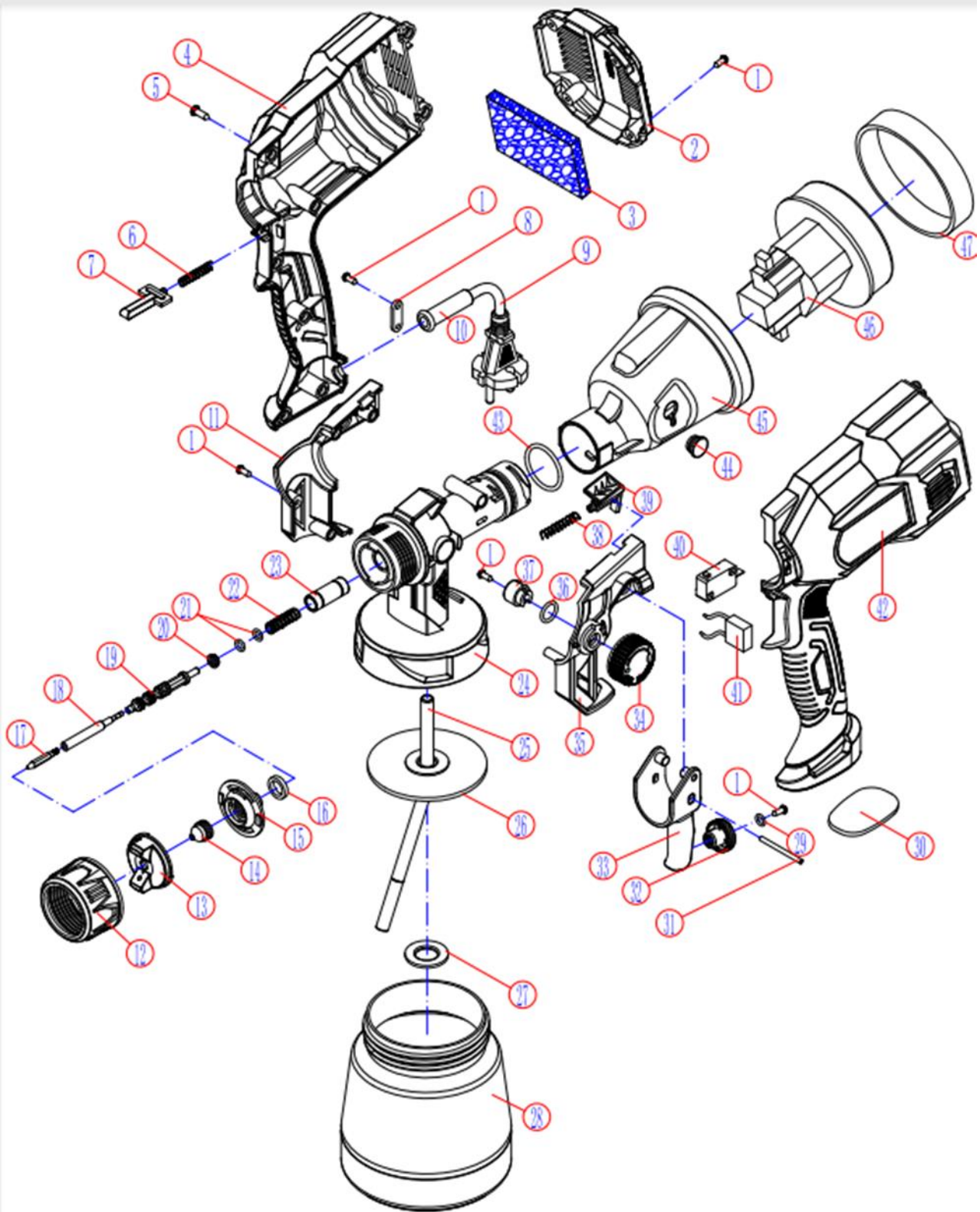
GENERAL SAFETY WARNINGS

WARNING: GENERAL.

To reduce the risk of severe injury or property damage, take the following actions:

- Always wear appropriate gloves, eye protection, and a respirator or mask when disinfecting.
- Do not aim the atomizer at, or spray any person, including self, or animal.
- Do not spray outdoors on windy days
- Wear protective clothing to keep spray material off skin and hair.
- Follow all appropriate local, state, and national codes governing ventilation, fire prevention, and operation.
- Always use appropriate gloves, eye protection and a respirator or mask when spraying, thinning, mixing, pouring, or cleaning.
- Do not operate or spray near children. Keep children away from equipment at all times. Keep atomizer out of the reach of children.
- Do not overreach or stand on an unstable support. Keep effective footing and balance at all times.
- Stay alert and watch what you are doing.
- Do not operate the unit when fatigued or under the influence of drugs or alcohol.
- Read all instructions and safety precautions for equipment and spray material before operating any equipment.
- Hearing protection is recommended.

WARNING: Some spray materials contain chemicals known to the State of California to cause cancer, birth defects or other reproductive harm. To reduce your exposure wear appropriate safety equipment such as face masks, gloves, and other appropriate protective equipment. Please review and follow the safety precautions on the disinfectant/chemical container.



I Exploded view:

1	ST2.9*10 SCREW	18	Needle insert	35	Left side cover
2	Rear cover	19	Needle seat	36	O-ring
3	Cotton filter	20	Bowl seals	37	Atomization circle
4	Right cover	21	O-ring	38	Vent spring
5	ST3.5*10 Screw	22	Needle spring	39	Lock catch
6	Switch plunger spring	23	Needle set	40	Microswitch
7	Switch plunger	24	ATOMIZER		
8	Tension disc	25	Pipette	42	Left cover
9	Cable	26	Cannister-ring	43	Atomizer-ring
10	Cable sheath	27	Suction pipe splint	44	Stopper
11	Right side cover	28	Cannister	45	Motor cover
12	Big nut	29	Φ3 flat gasket	46	Motor
13	Air cap	30	Foot pad	47	Damping ring
14	Atomizer nozzle	31	Short pin		
15	Barge board	32	Adjusting knob		
16	Nozzle seal	33	Trigger		
17	Needle	34	Atomizer knob		

II Technical parameters:

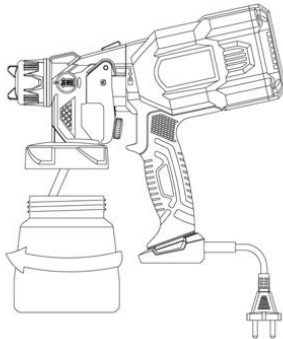
Model: XD103	
Rated power: 550W	Atomized particle size: nominal 60-80 microns when used with water-thin disinfectant
Rated voltage: 120V	Spray distance: Up to 12 ft
Frequency: 50/60HZ	Spray Envelope: 30 Degrees
Rated speed: 30000 RPM	Viscosity: Water thin consistency
Air flow: 160 L/min	Disinfectant capacity: 800ml
Disinfectant Flow: 100-200 mL/min	Cord length: 12ft

III Function:

Product is suitable for spraying disinfectant only. Other uses are not approved.

IV Operating Instructions

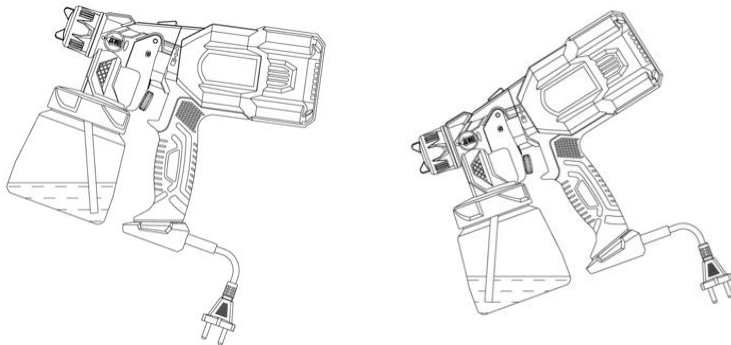
1. Ensure disinfectant is prepared as per manufacturer's instructions and atomizer is unplugged from power source.
2. Unscrew disinfectant container from atomizer.



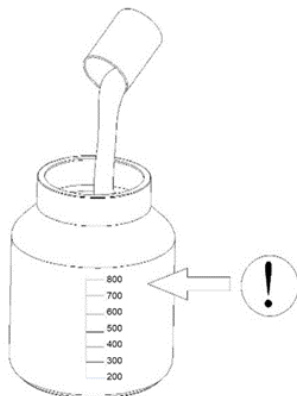
3. Adjust suction tube orientation to match atomizer angle in use.
 - a. If spraying upward, the angled end of the suction tube should be pointing toward the rear of the atomizer.
 - b. If spraying downward, the angled end of the suction tube should be pointing toward the front of the atomizer.
 - c. Do not operate nor store atomizer on its side or inverted when liquid is in the canister.
 - d. The suction tube in the canister should always be submerged in the liquid in the canister when in use.

Do not operate the atomizer in a manner/attitude that allows the suction tube to become unsubmerged.

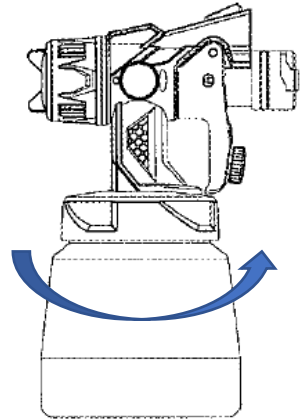
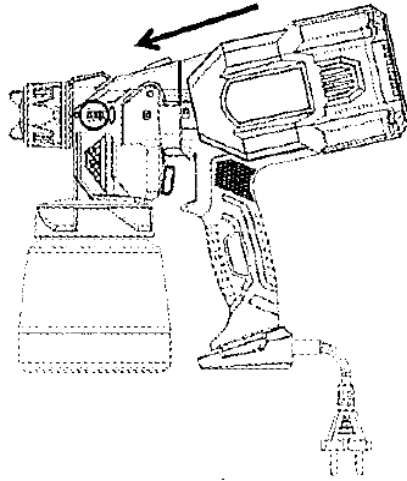
Examples of improper use include (but are not limited to) use while inverted or use while being held sideways. Bubbling of the liquid in the canister indicates improper use.



4. Pour prepared disinfectant into the container. Do not exceed the maximum capacity mark on the container.



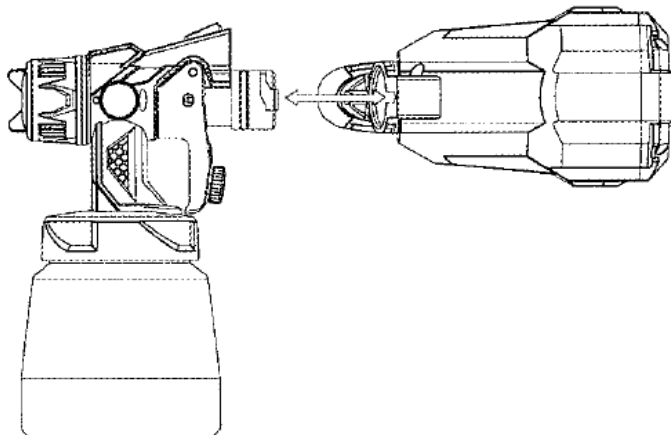
5. Remove motor/blower assembly from the atomizer.
 - a. Hold the atomizer in your left hand and press the latch in the direction of the arrow.
 - b. At the same time hold the motor/blower handle assembly with your right hand and rotate it counterclockwise 90 degrees.
 - c. Pull out to remove the motor/blower from the atomizer.



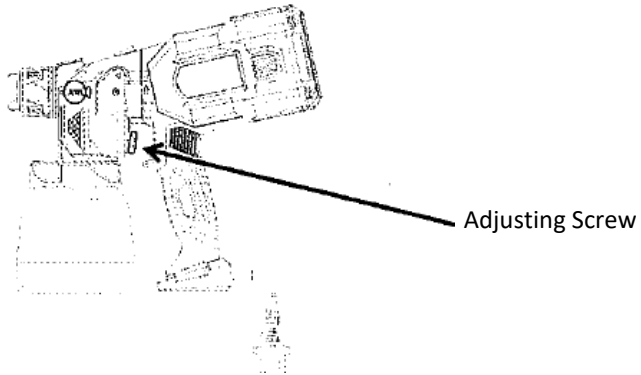
6. Screw filled disinfectant container onto the atomizer.

7. Connect atomizer body with motor/blower.

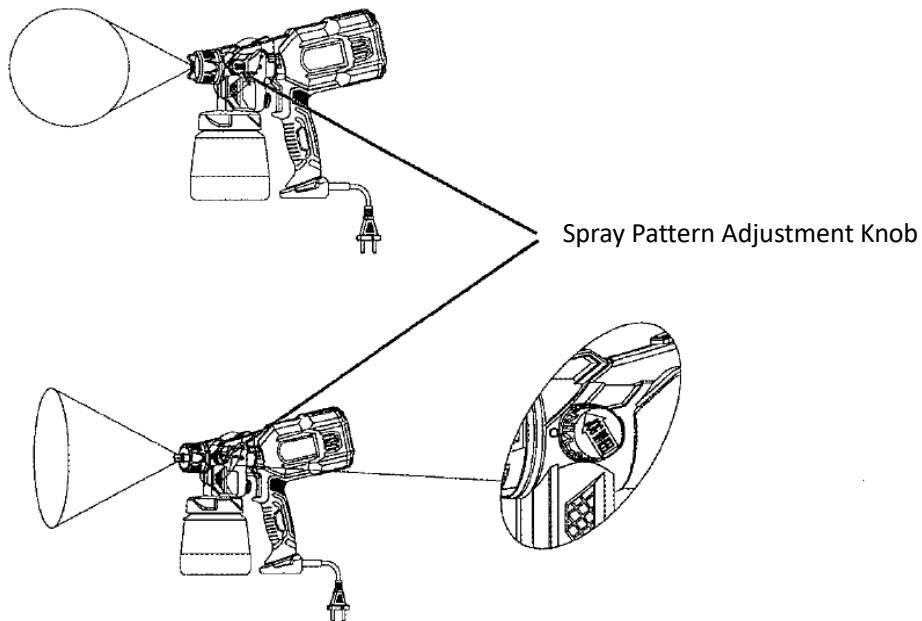
- a. Hold atomizer body in your left hand and align the slot on the atomizer with the slot on the motor/blower and insert (as shown in the figure).
- b. Rotate the motor/blower 90 degrees clockwise.
- c. When the atomizer and motor/blower are parallel, the latch button will engage.



- 8. Adjust the needle adjusting screw to meet your desired level of disinfectant coverage
 - a. Adjust the screw to the left to decrease coverage
 - b. Adjust the screw to the right to increase coverage

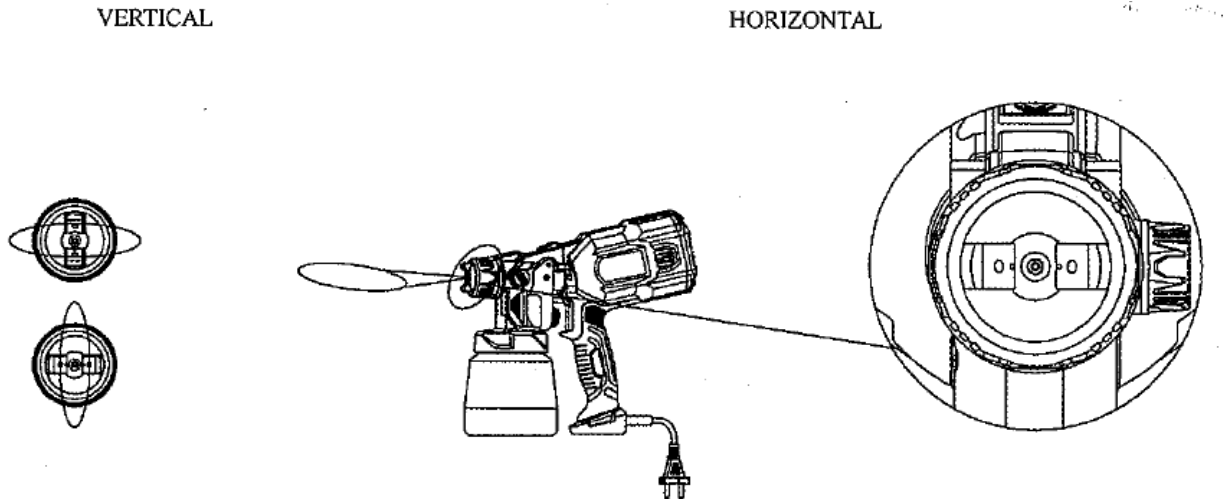


- 9. Spray pattern adjustment. Turn the knob to adjust from round pattern to fan pattern.



10. Adjusting spray pattern orientation

- a. The fan pattern can be adjusted from horizontal to vertical by adjusting the air cap.
- b. Slightly loosen the air cap retaining nut and rotate air cap to desired position.
- c. Retighten the air cap retaining nut.



11. Plug atomizer into power source. Pull trigger and disinfectant will spray from the nozzle.
12. Application distance and speed are important. Atomizer should be 4 feet or greater from the surface being disinfected. Surfaces being sprayed should be completely dry within 5-10 minutes of spraying. Wiping wet disinfectant off the surfaces should not be required. However, the surfaces should remain wet long enough (dwell time) for the disinfectant to be effective, at least one minute. See disinfectant manufacturer's recommendations for dwell time for the specific disinfectant being applied.
 - a. If surfaces remain wet longer than 5-10 minutes, increase movement speed of the atomizer to produce a lighter coating.
 - b. If surfaces are not fully wetted, slow down movement speed of the atomizer.

V Maintenance**1. Cleaning**

- a. Unplug unit from outlet.
- b. Separate atomizer from motor/blower assembly
- c. Remove disinfectant container from atomizer
- d. Remove any remaining disinfectant from disinfectant container and dispose of as per disinfectant manufacturer's recommendations.
- e. Add approximately 200 mL of water to disinfectant container. A few drops of liquid soap or dishwashing liquid can also be added.
- f. Reassemble container to atomizer, then assemble atomizer with motor/blower.
- g. Swish water in container to wet the interior of the container (and to mix in soap, if used).
- h. Plug unit into outlet.
- i. Turn on atomizer and run until container is empty.
- j. Repeat steps above one additional time with water only.

VI Troubleshooting

Problem	Cause	Solution
A. little or no material flow	<ol style="list-style-type: none"> 1. nozzle clogged 2. suction tube clogged 3. material volume setting turned too far to the right 4. suction tube loose 5. container is loose 	<ol style="list-style-type: none"> 1. clean 2. clean 3. turn to the left 4. insert 5. tighten the container
B. material leaking	<ol style="list-style-type: none"> 1. nozzle loose 2. nozzle worn 3. nozzle seal worn 4. material build-up on spray pattern dial and nozzle 5. atomizer used or stored in an inverted or sideways orientation 	<ol style="list-style-type: none"> 1. tighten 2. replace 3. replace 4. clean 5. disassemble atomizer from motor/blower assembly and used compressed air to remove liquid from atomizer assembly. If liquid has entered motor /blower assembly replace motor/blower assembly.
C. atomization is too coarse	<ol style="list-style-type: none"> 1. material volume setting too far to the left 2. nozzle clogged 3. too little pressure build-up in container 	<ol style="list-style-type: none"> 1. turn to the right 2. clean 3. tighten container
D. spray jet pulsates	<ol style="list-style-type: none"> 1. material in container is depleted 	<ol style="list-style-type: none"> 1. refill
E. pattern runs, sags or remains wet	<ol style="list-style-type: none"> 1. applying too much material 	<ol style="list-style-type: none"> 1.adjust material flow or increase movement of atomizer
F. too much over-spray	<ol style="list-style-type: none"> 1. atomizer too far from target area 2. too much material applied 	<ol style="list-style-type: none"> 1. reduce distance 2. turn material volume setting to right
G. pattern is very light and splotchy	<ol style="list-style-type: none"> 1. moving the atomizer too fast 	<ol style="list-style-type: none"> 1. adjust material flow or decrease movement of atomizer
H. large cloud of disinfectant	<ol style="list-style-type: none"> 1. atomizer too close to target area 	<ol style="list-style-type: none"> 1. move atomizer away from target area and reduce disinfectant flow
I. disinfectant not drying	<ol style="list-style-type: none"> 1. atomizer too close to target area 	<ol style="list-style-type: none"> 1. move further away (4 feet or greater)
J. disinfectant drying too quickly	<ol style="list-style-type: none"> 1. atomizer too far away from target area 	<ol style="list-style-type: none"> 1. move closer



Xanigo, llc
3236 Huntington
Weston, FL 33332
<https://xanigo.com>
Contact Us
(800) 514-7837
info@xanigo.com
support@xanigo.com